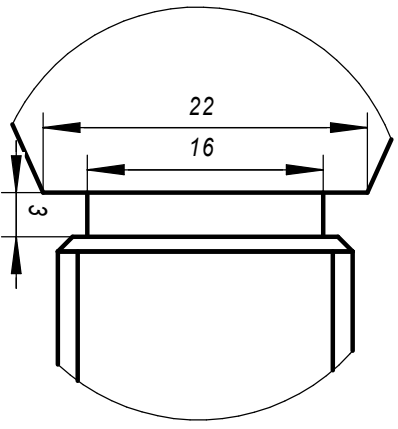


DETAIL A



DESIGNATION: 1234		FINISH:		DEBUR AND BREAK SHARP EDGES		DO NOT SCALE DRAWING		REVISION		
SURFACE FINISH:		TOLERANCES:		LINEAR:		ANGULAR:				
NAME	SIGNATURE	DATE								
DRAWN	DP									
CHK'D										
APP'VD										
MFG										
Q.A										
MATERIAL: Steel DIN 17102		DW.G.NO		1234		A4				
WEIGHT: 0.49		SCALE: 1:1		SHEET		1				
TITLE: STUB AXLE										